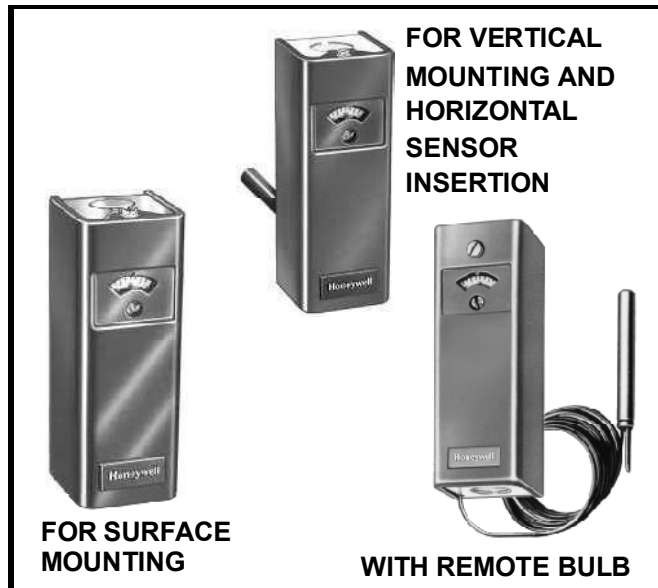


L4006,7,8; L6006,7,8 Aquastat® Controllers

PRODUCT DATA



FEATURES

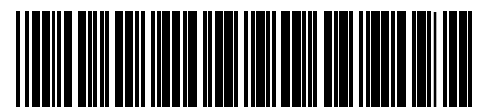
- L4006,7 and 8 provide spst switching for high or low limit or circulator control.
- L4006G includes two spst switches that provide high limit and circulator control.
- L4006,7; L6006,7 models are available for insertion in vertical or horizontal immersion well, vertical or horizontal direct immersion, and surface mounting.
- L4008, L6008 include remote bulb for mounting controller at a location away from the sensing element.
- Totally enclosed Micro Switch® snap-acting switches operate on temperature rise to set point.
- Models calibrated for high limit use are also suitable for low limit control if a separate high limit controller is used.
- Visible control point scale and external adjustment screw permit easy setting.
- Remote bulb models may be used to sense air temperature in ducts and in outside air sensing applications.

GENERAL

Aquastat® Controllers are immersion type devices for limiting or regulating the temperature of liquids in boilers, storage tanks, and other applications where temperature control is required.

Contents

General	1
Features	1
Specifications	2
Ordering Information	2
Installation	8
Operation	15
Adjustments	16
Checkout	17
Material Safety Data Sheet	18



SPECIFICATIONS

IMPORTANT

The specifications given in this publication do not include normal manufacturing tolerances. Therefore, this unit may not exactly match the listed specifications. Also, this product is tested and calibrated under closely controlled conditions, and some minor differences in performance can be expected if those conditions are changed.

SUPER TRADELINE®/TRADELINE® MODELS

SUPER TRADELINE controls offer features not available on TRADELINE or standard models, and are designed to replace a wide range of Honeywell and competitive controls.

TRADELINE models are selected and packaged to provide ease of stocking, ease of handling, and maximum replacement value. Specifications of SUPER TRADELINE and TRADELINE controls are the same as those of standard models except as noted below.

SUPER TRADELINE Model: L6006A Aquastat Controller.

SUPER TRADELINE Features:

SUPER TRADELINE package with cross reference label and special instructions.

Factory-set stop at 240°F (116°C).

Vertical or horizontal mount.

Tube of heat-conductive compound.

Insulation: 1-1/2 to 3 in. (38 to 76 mm).

TRADELINE Models: L4006A,B,E; L4008E; L6006C; L6008A Aquastat Controllers.

TRADELINE Features Available:

TRADELINE package with cross reference label and special instructions.

Some Tradeline models include well.

Factory-set stops at 180°F, 240°F, or 250°F (82°C, 116°C, or 121°C).

Vertical or horizontal mount.

Tube of heat-conductive compound.

Insulation depths of 1-1/2 or 3 in. (38 or 76 mm).

NOTE: The following specifications are standard. Variances, available as options, are listed in Tables 1 and 2.

Electrical Ratings (A):

Models with 2°F (1°C) fixed differential:

	120 Vac	240 Vac
Full Load	2.6	1.3
Locked Rotor	15.6	7.8

Models with 5°F (3°C) fixed differential or 5°F to 30°F (3°C to 17°C) adjustable differential:

	110/120 Vac	200/240 Vac	277 Vac ^a
Full Load	8.0	5.1	4.2
Locked Rotor	48.0	30.6	25.2
Millivoltage	0.25 at 0.25 to 12 Vdc		

^a L6008G only.

Switching:

L4006, L4007, L4008: Spst.

L6006, L6007, L6008: Spdt (breaks R-B and makes R-W on temperature rise at setpoint).

ORDERING INFORMATION

When purchasing replacement and modernization products from your TRADELINE® wholesaler or distributor, refer to the TRADELINE® Catalog or price sheets for complete ordering number.

If you have additional questions, need further information, or would like to comment on our products or services, please write or phone:

1. Your local Home and Building Control Sales Office (check white pages of your phone directory).
2. Home and Building Control Customer Relations
Honeywell, 1885 Douglas Drive North
Minneapolis, Minnesota 55422-4386

In Canada—Honeywell Limited/Honeywell Limitée, 35 Dynamic Drive, Scarborough, Ontario M1V 4Z9.

International Sales and Service Offices in all principal cities of the world. Manufacturing in Australia, Canada, Finland, France, Germany, Japan, Mexico, Netherlands, Spain, Taiwan, United Kingdom, U.S.A.

Pressure Rating:

Capillary Bulb (Direct Immersion): 200 psi (1379 kPa).
 Immersion Well: 255 psi (1758 kPa).

Sensing Bulb Material: Copper.

Sensing Bulb Fill: Liquid—toluene or silicone oil.

Sensing Bulb Dimensions: 2-7/8 in. (73 mm) long,
 3/8 in. (10 mm) diameter.

Wiring: Screw terminals.

Maximum Ambient Temperature: 150°F (66°C).

Approvals:

Underwriters Laboratories Inc:
 Remote bulb devices and well-mounted devices shipped without well are component recognized:
 File No. MP466, Guide No. MBPR2.
 L4006A shipped with well, L4006G, L4007A,B; L6006C for surface mounting, L6006B for direct immersion mounting, and L6007A are listed: File No. MP466, Guide No. MBPR.
 L6008G is listed: File No. E4436, Guide No. XAPX.
 Canadian Standards Association: File No. LR1620, Guide No. 400-E-O.

ANSI Miswiring: Models with 1/4 in. tab terminal meet ANSI Appliance Miswiring Standard.

Mounting:

Horizontal and vertical models mount directly to an immersion well installed in a boiler fitting. L4006H and L6006C contain bracket and clamp for surface mounting on pipe or tank. Remote bulb models have three mounting holes in rear of case for screw mounting to a vertical surface. The L6006B direct immersion model also mounts directly to a boiler fitting.

Finish: Gray.

Dimensions:

Installation: See Fig. 1, 2, and 3.
 Immersion Well: See Fig. 4.
 Boiler Fitting and Bulb: See Fig. 5.

Accessories and Parts:

137536A Scale Lock Assembly: Includes one 137536-767 Scale Lock and one 80844C-767 Screw, No. 3-48 x 3/16.
 Q615A1004 Weatherproof Enclosure (for remote bulb devices only).
 107408 Heat-Conductive Compound (4-oz. can).
 104488 Spring Clip (stainless steel).
 124904 Well Adapter.
 Immersion Well Assemblies and Compression Fittings:
 See form 68-0040, Wells and Fittings for Temperature Controllers, for list and ordering information.

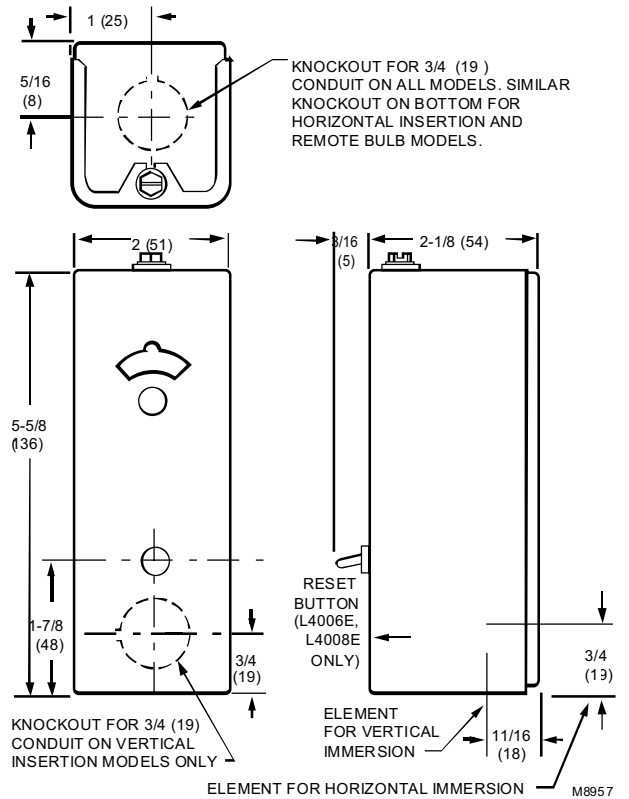


Fig. 1. Approximate case installation dimensions in in. (mm) for direct insertion models.

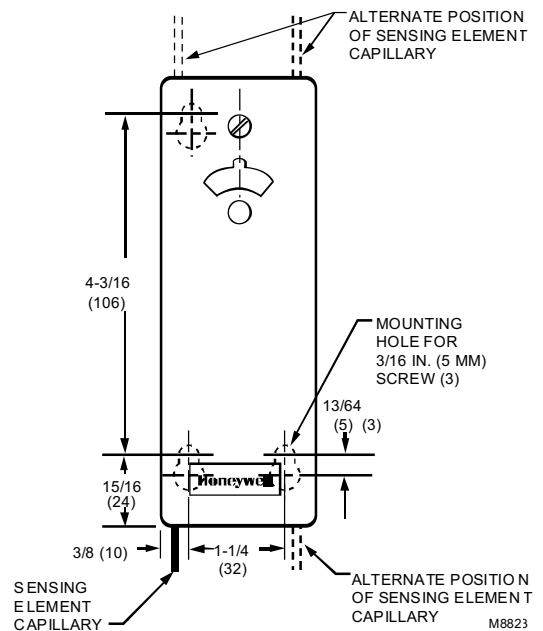


Fig. 2. Approximate installation dimensions in in. (mm) for remote bulb models. Other dimensions are the same as Fig. 1.